

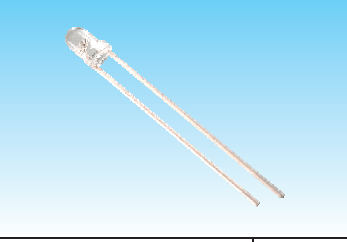
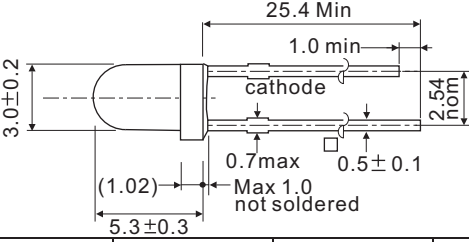
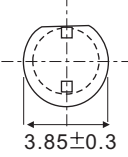
# Warm White Extra Bright LEDs

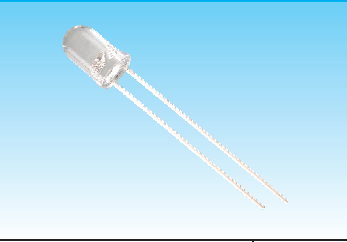
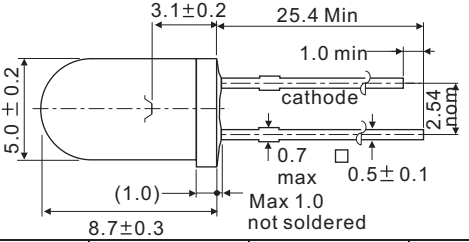
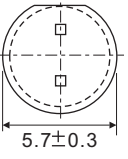


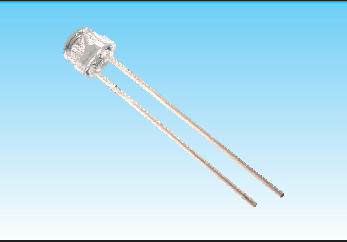
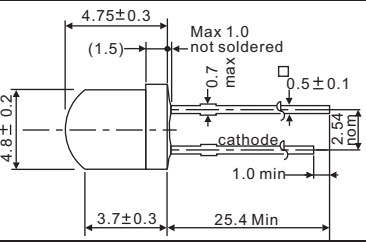
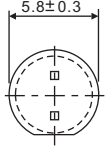
(sensitive to static electricity)


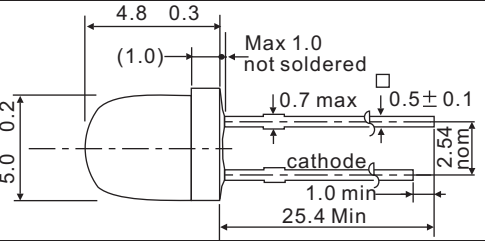
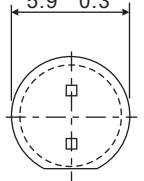
Ta=25°C

Device No	Color		CIE Coordinates Typical		VF Typical (V)	Brightness (mcd)		View Angle 2θ1/2
	Material	Lens	X	Y		IV1	IV2	

3								UNIT:mm	
	HB3b-449YWE	GaInN/GaN	Water clear	0.40	0.41	3.3	3600	7200	29
	HB3b-449YWF			0.40	0.41	3.3	5200	10200	
	HB3b-449YWE-B			0.40	0.41	3.3	2000	4000	40
	HB3b-449YWF-B			0.40	0.41	3.3	2600	5050	

5								UNIT:mm	
	HB5-439YWE	GaInN/GaN	Water clear	0.40	0.41	3.3	8000	14500	22
	HB5-439YWF			0.40	0.41	3.3	1000	18500	
	HB5-439YWE-C			0.40	0.41	3.3	3600	7200	43
	HB5-439YWF-C			0.40	0.41	3.3	5200	10200	

5								UNIT:mm	
	HB5G-439YWE	GaInN/GaN	Water clear	0.40	0.41	3.3	1000	2700	80
	HB5G-439YWF			0.40	0.41	3.3	1800	3500	

5								UNIT:mm	
	HB5H-439YWE	GaInN/GaN	Water clear	0.40	0.41	3.3	1400	2800	65
	HB5H-439YWF			0.40	0.41	3.3	1800	3500	

IV1:Labsphere LED-1100 IV2:EXELTRON 2001.