



# SA106G-XXGS

6W Switching Adapter

[www.sac-ontop.com.tw](http://www.sac-ontop.com.tw)

## Input

Rated Voltage	100 - 240 VAC
Max. Voltage	90 - 264 VAC
Line Frequency	47 - 63 Hz
Current	300mA at 100-240VAC
Configuration	Europe-2PIN

## Output

Model Name	Voltage	Current	Watt	Efficiency
SA106G-09GS	9V	0.67A	6W	70%
SA106G-12GS	12V	0.5A	6W	70%
SA106G-24GS	24V	0.25A	6W	70%
Line Regulation	Less than $\pm 5\%$ ( 9V $\pm 7\%$ )			
Load Regulation	Less than $\pm 5\%$ ( 9V $\pm 7\%$ )			
Protections	OCP, OVP & SCP			
Ripple & Noise	$\leq 120\text{mVp-p}$ , (For 9V, 12V) $\leq 300\text{mVp-p}$ , (For 24V)			

## Environment

Operating Temp.	0°C - 40°C
Storage Temp.	-20°C - 80°C
Humidity	10% - 90% (Non-condensing)
RoHS & WEEE	Standard

## Reliability

MTBF	50,000 hrs (by MIL-217 Standard)
Safety	ITE: TUV/GS, CE, CB

## Others

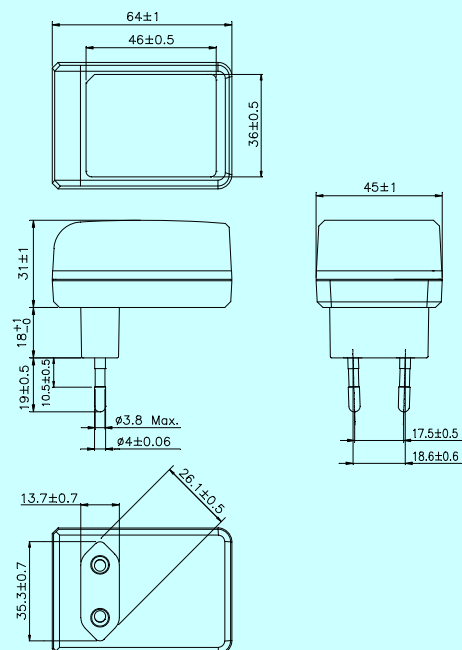
Package	100 pcs/box
Min. Order	1K pcs/lot
Warranty	1 year

## Electrical

Topology	Switching Mode
Hi-Pot	3000 Vac/1sec @ 5mA (primary - secondary)
Leakage Current	$\leq 0.25\text{mA}$ , at 264VAC/50Hz
Hold Up Time	$\geq 6\text{ mSec}$
Standby Power	$\leq 0.3\text{ Watt}$
EMI	Complies with EMI directives
ErP Requirement	Efficiency Level: Stage 2

## Mechanical

Case Size	64L x 45W x 31H mm
Case Material	Black, 94V-1 or equivalent
Weight	95 $\pm$ 10 g
DC Cord	4.92ft



For reference only. For details please contact your local sales representative