



SA110R-XXGS

10W/12W Switching Adapter

www.sac-ontop.com.tw

Input

Rated Voltage	100 - 240 VAC
Max. Voltage	90 - 264 VAC
Line Frequency	47 - 63 Hz
Current	300mA at 100-240VAC
Configuration	Europe-2PIN

Output

Model Name	Voltage	Current	Watt	Efficiency
SA110R-05GS	5V	2A	10W	75%
SA110R-09GS	9V	1.3A	11.7W	80%
SA110R-12GS	12V	1A	12W	80%

Line Regulation	Less than ±2%
Load Regulation	Less than ±5%
Protections	OCP, OVP & Short circuit
Ripple & Noise	≤100mVp-p, (For 5V, 9V,12V models)

Environment

Operating Temp.	0°C - 40°C
Storage Temp.	-20°C - 80°C
Humidity	10% - 90% (Non-condensing)
RoHS & WEEE	Standard

Reliability

MTBF	50,000 hrs (by MIL-217 Standard)
Safety	AV: TUV/GS, CB, CE

Others

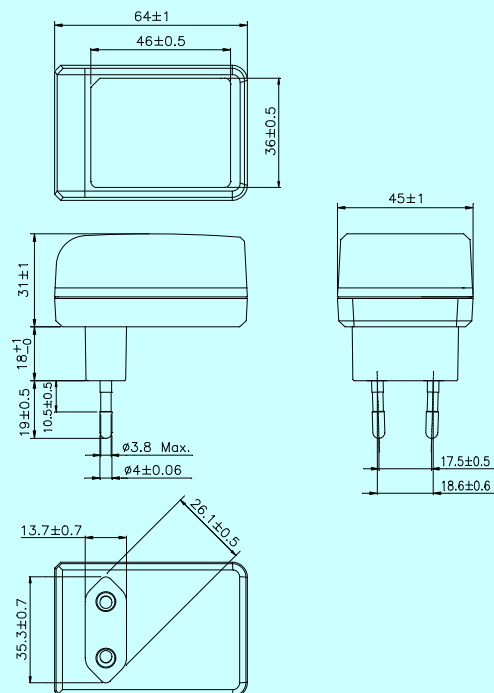
Package	100 pcs/box
Min. Order	1K pcs/lot
Warranty	1 year

Electrical

Topology	Switching Mode
Hi-Pot	3000 Vac/1sec @ 5mA (primary - secondary)
Leakage Current	≤0.25mA, at 264VAC/50Hz
Hold Up Time	≥8 mSec
Standby Power	≤0.075 Watt
Consumption	
EMI	Complies with EMI directives
Product complies EU	(Efficiency Level Tier 2-2016)

Mechanical

Case Size	64L x 45W x 31H mm
Case Material	Black, 94V-1 or equivalent
Weight	100, ± 10 g
DC Cord	4.92 ft



For reference only. For details please contact your local sales representative