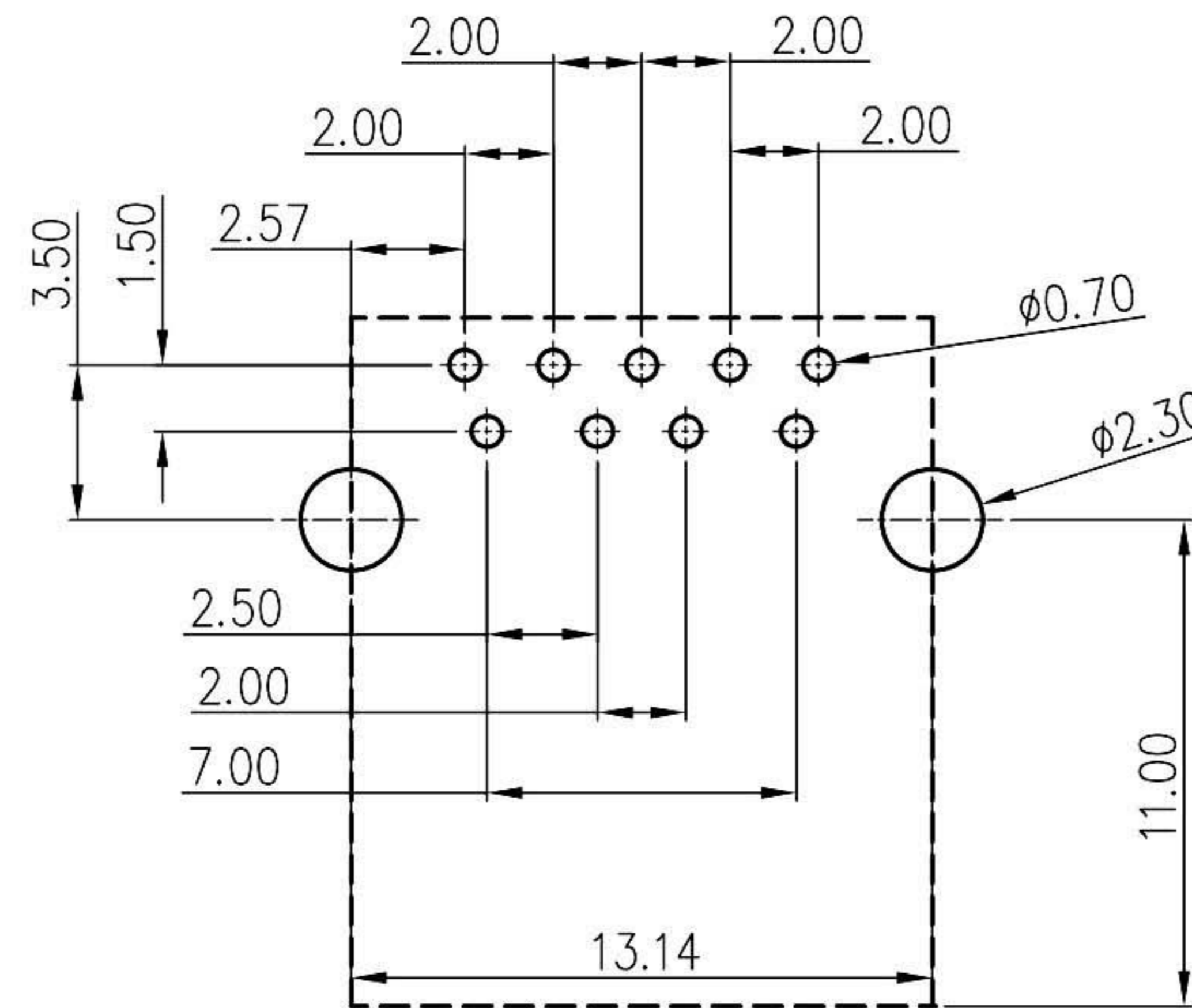
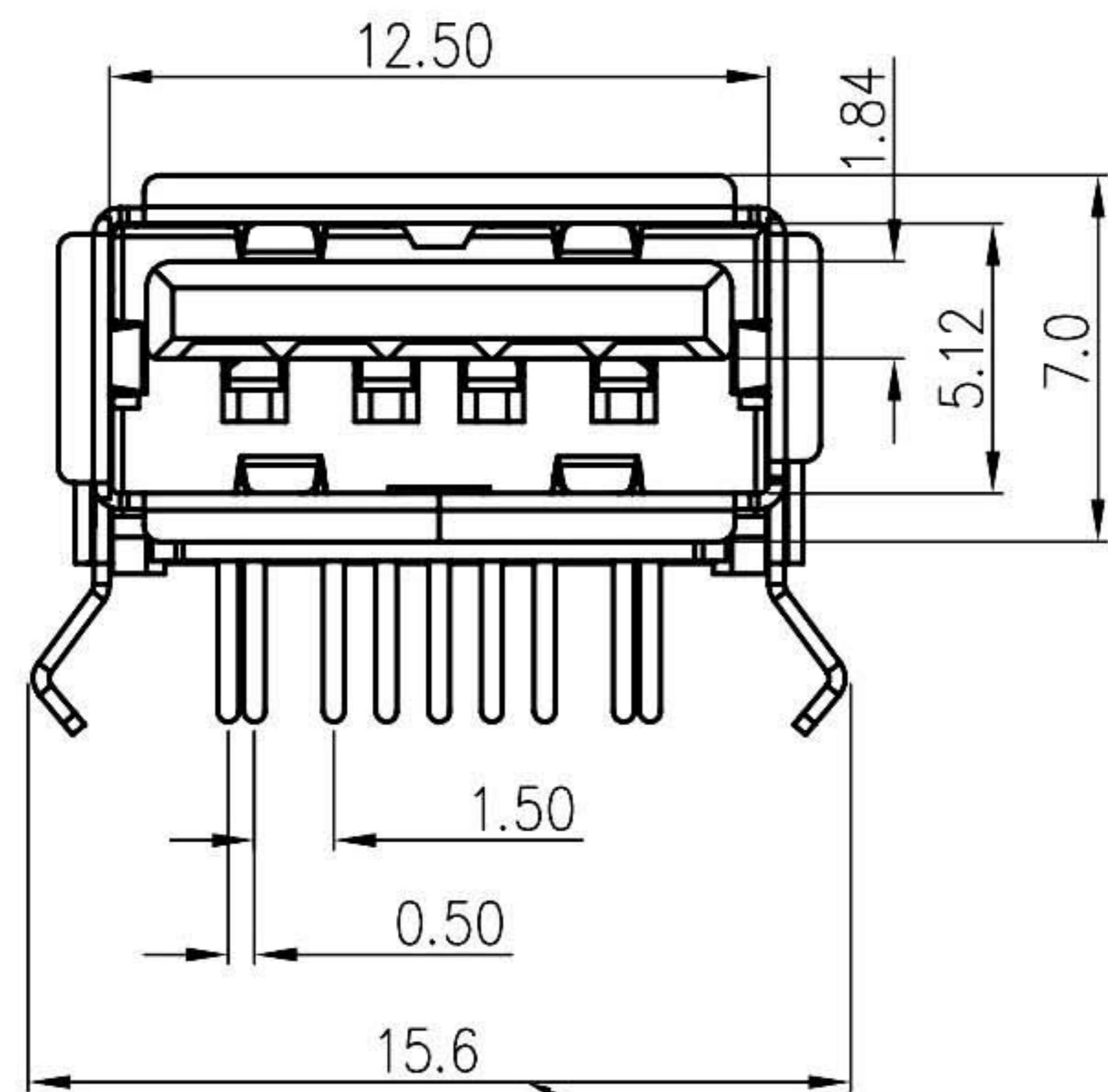
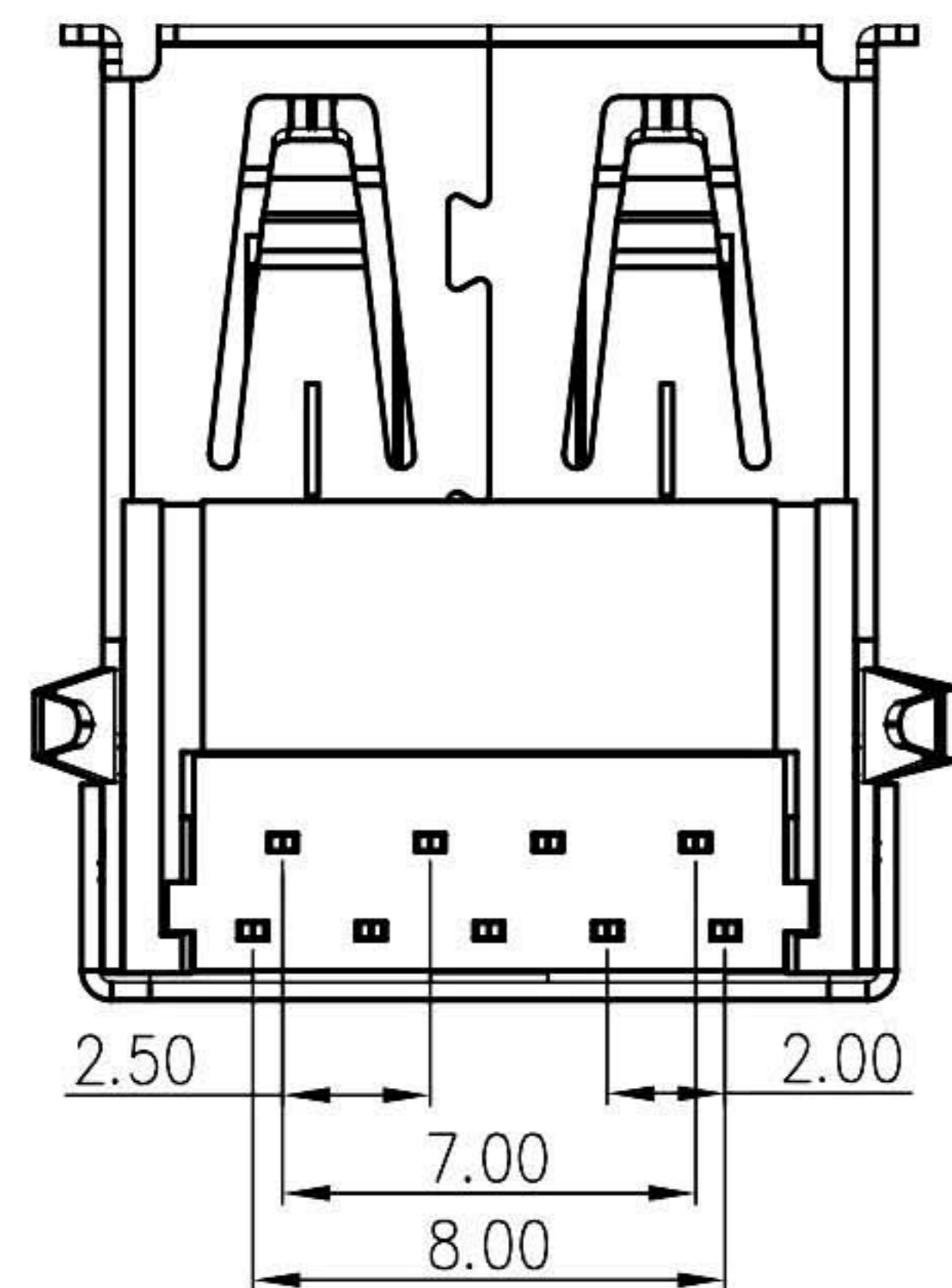


SPECIFICATIONS:
 Contact current Rating:
 1.8 Amperes for pin1&pin4.
 0.25 Amperes other contacts
 Dielectric Withstanding Voltage:AC 100V(RMS)
 Insulation resistance:100Megohms Minimum.
 Contact Resistance:
 30mΩ Max for pin1&pin4
 50mΩ Max for other contacts
 Mechanical Characteristics:
 Mating Force:35 Newtons.Maximum
 Unmating Force:10 Newtons.Minimum.
 8N Min After Durability

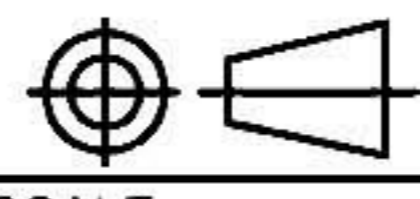


MATERIAL:
 Housing: BLUE PBT, UL 94V-0
 Contact: copper alloy (T=0.25mm)
 Shell: C2680
PLATING:
 Contact: Au Plated on contact area
 Tin Plated on solder area
 Nickel underplating over all
 Shell: Nickel Plated
 operating Temperature:-55° to+85°

此尺寸以顺畅下板为准



Pin Number	Signal Name
1	VBUS
2	D-
3	D+
4	GND
5	SSRX-
6	SSRX+
7	GND
8	SSTX-
9	SSTX+
Shell	Shield

RoHS Compliant		T&T Connection System Co., Ltd.	
APPD. 核准 HELEN		TOLERANCE 容許公差 .X +/-0.30 .XX +/-0.25 FRACTIONS +/-0.25 ANGLES +/-2.00°	PART NAME 品名 USB-A 3.0 BLUE FEMALE RIGHT ANGLE P.C.B. 9 PIN MATERIAL: PBT
DWG. 製圖 ABBY	SCALE 比例 參考	UNIT 單位 MM	SIZE. 紙張尺寸 A 4
DATE 制表日 2017/12/25	PAGE 張數 1 OF 1	REV. 版次 E	PART NO. 料號 USB-A3.0S09PFHCT