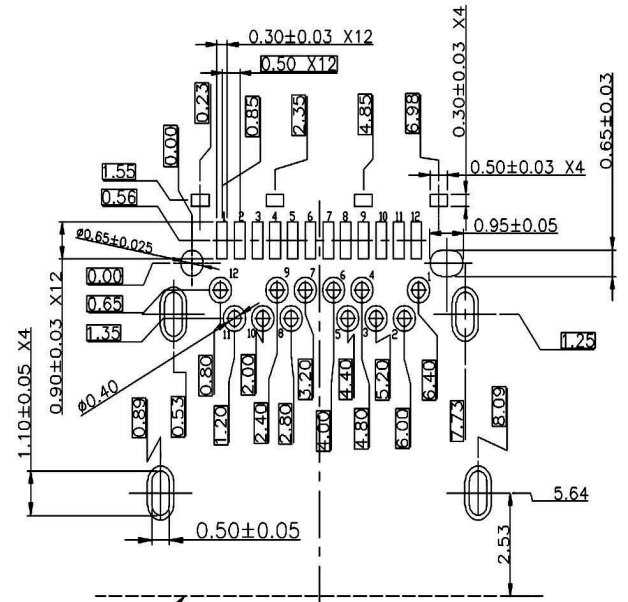
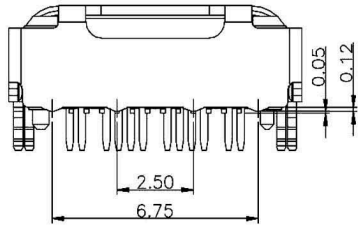
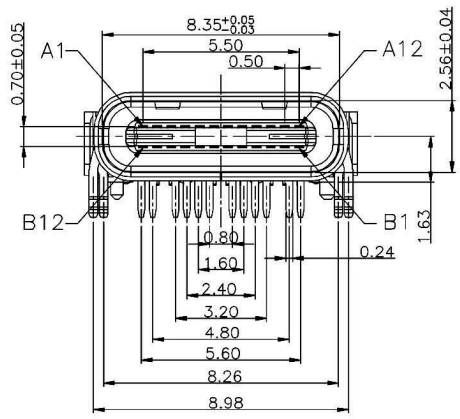
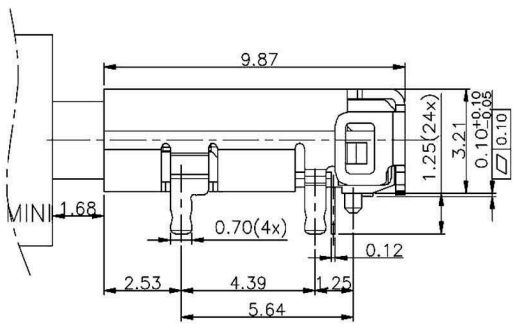
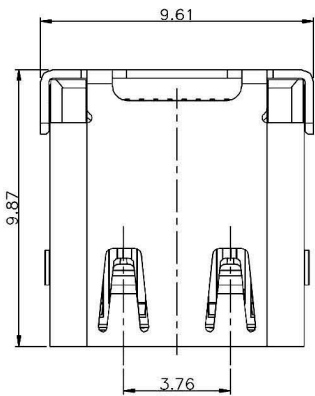


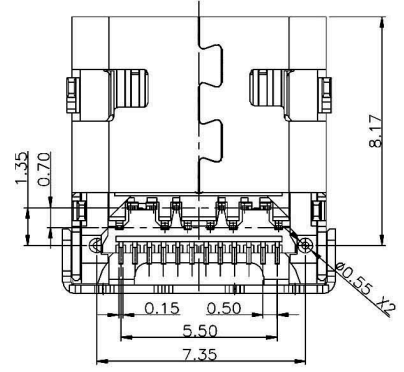
1 2 3 4 5 6 7 8

A
B
C
D
E
F
G
H

A
B
C
D
E
F
G
H



CONNECTOR FRONT EDGE RECOMMENDED P.C.B. LAYOUT (T:1.00mm)
TOLERANCE UNSPECIFIED ±0.05mm



	A	B
1	GND	12 GND
2	TX+	11 RX-
3	TX-	10 RX+
4	VBUS	9 PWR
5	RUF	8 CC
6	D-	7 D+
7	D+	6 D-
8	CC	5 RFU
9	VBUS	4 PWR
10	RX+	3 TX+
11	RX-	2 TX-
12	GND	1 GND

APPD. 核准 DWG. 製圖 DATE 制表日 2015/02/04		RoHS Compliant T&T Connection System Co., Ltd.	PART NAME 品名	
			USB-C 3.1 BLACK FEMALE P.C.B. TYPE 24 PIN NICKEL SHELL	
UNIT 單位 M M		TOLERANCE 容許公差 .0 ± 0.30 .00 ± 0.20 ANG. ± 3°		PART NO. 料號 USB-C3.1S24PFHTC
PAGE 張數 1 OF 1		SIZE 紙張尺寸 A 4		

1 2 3 4 5 6 7 8